



PMC05S180

3.6 WATT

DALI POWER SUPPLY

Features

- * Universal AC Input Range 100~277Vac
- * Output Constant Current Design
- * Continuous Short Circuit Protection
- * EMC meet EN55022/EN55015 Class B
- * Power Supply for DALI Systems (DALI Protocol) for Remote Mounting

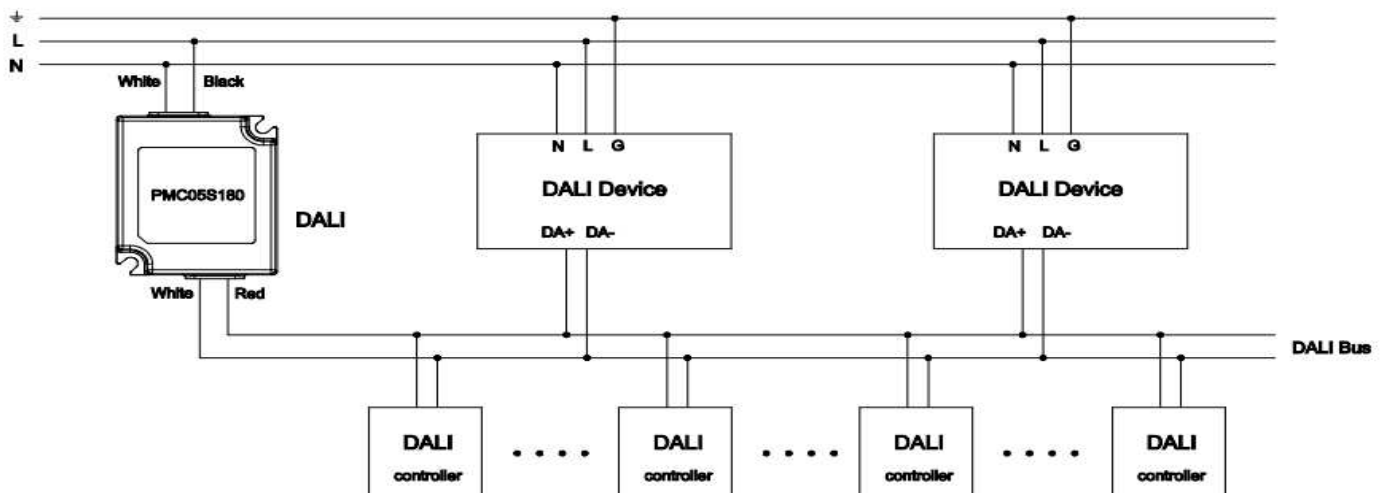


MODEL	INPUT VOLTAGE RANGE	OUTPUT OPERATING VOLTAGE	OUTPUT RATED CURRENT	OUTPUT RATED POWER	OUTPUT VOLTAGE MAXIMUM	RIPPLE% NOISE (Max.) NOTE2
PMC05S180	100-277Vac	9.5 ~ 18V	200mA	3.6W	22V	1% Vo

Note:

1. Nominal Input Voltage: 115Vac, 230Vac
2. Ripple and Noise are measured at rated current, 115Vac / 230Vac, Vo=18Vdc and 20MHz bandwidth with a 0.1uF ceramic capacitor.
3. Measured at rated current, 115Vac/ 230Vac, Vo=18Vdc

Installation Drawing



日本正規代理店:


aeco light 株式会社
ADVANCED LIGHTING SOLUTIONS

〒150-0001
東京都渋谷区神宮前 6-33-11
グレース 79 U-2
Tel : 03-6712-6286
Fax : 03-6712-6287
E-mail : info@aeco.co.jp
Hp : www.aeco.co.jp

Specifications

All specifications are Typical at nominal line, full load and 25 °C unless otherwise noted

INPUT SPECIFICATIONS:

AC Input Voltage 90~305Vac
 Frequency 50 to 60Hz
 Leakage Current 0.75mA max

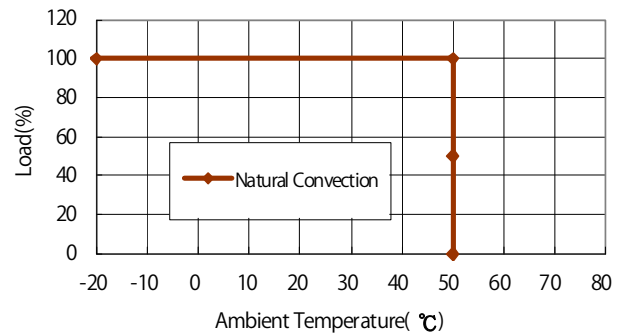
OUTPUT SPECIFICATIONS:

Output Voltage Accuracy at no load 22V ma x.
 Output Voltage Accuracy at full load (note1) 16V±10%.
 Constant Current Accuracy 220mA±20mA
 Current Line Regulation (note2) ±5% max.
 Over Voltage Protection Voltage Clamp by TVS
 Short Circuit Protection Constant Current with Auto Recovery
 Start up time 2.0 second max.

GENERAL SPECIFICATIONS:

Isolation voltage, Input to output 3.75KVac
 Isolation resistance, Input to output 10⁸Ω min.
 Operating Ambient Temperature -20 ~ 50 °C
 Cooling Natural Convection
 Storage Temperature -40 ~ 85 °C
 Operating Humidity 10%~80%RH non-condensing.
 Operating Altitude 3000m
 Vibration 0~500Hz, 2G 60min./1cycle, period for 3hours, 3 axes
 Shock 30g peak, half sine, 6 axes
 MTBF,MIL-HDBK-217F (2 5°C) TBD

PMC05 Derating Curve



SAFETY AND EMISSIONS:

EMI EN55022/EN55015 Class B
 EMS EN61000-3-2 Harmonic Class A, EN61000-3-3
 Dimensions 43.20x35.60x15.24 mm
 Weight 30g.
 Case Material Plastic

NOTE:

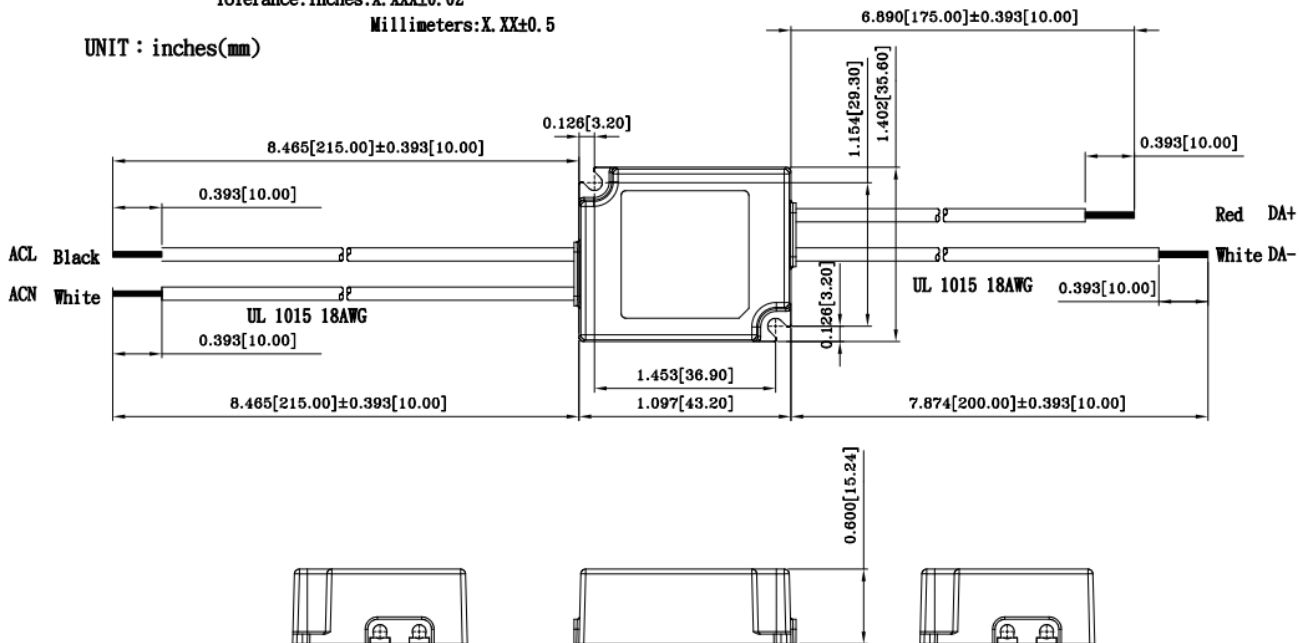
1. Output voltage is measured at full load @25 °C. (C.R mode 80 Ω).
2. Current Line regulation is measured from High Line to Low Line at full load.

Mechanical Specification

All Dimensions are in inches(mm)
 Tolerance: Inches: X.XXX±0.02

Millimeters: X.XX±0.5

UNIT : inches(mm)



日本正規代理店:

aeco light
 aeco light 株式会社
 ADVANCED LIGHTING SOLUTIONS

〒150-0001
 東京都渋谷区神宮前 6-33-11
 グレース 79 U-2
 Tel : 03-6712-6286
 Fax : 03-6712-6287
 E-mail : info@aeco.co.jp
 Hp : www.aeco.co.jp